



# FITTING INSTRUCTIONS

## (802500) ALTITUDE ROOF TOP TENT FITTING KIT (6178105)



## WARNING

### NOTE THE FOLLOWING:

- ◆ This Fitting Kit is designed to be used with either Roof Bars or Base Rack (ARB accessories both sold separately).
- ◆ Please also refer to the Customer Manual for the roof top tent (Part number:37801296)
- ◆ Vehicle accessories which are not properly fitted can be dangerous.
- ◆ Please read all instructions carefully prior to installation, and comply with the instructions.
- ◆ If in any doubt, please contact your nearest ARB state office or the stockist from whom it was purchased.
- ◆ Refer to individual Fitting Instructions for fitment to your vehicle.
- ◆ This product or its fixing must not be modified in any way.
- ◆ The installation of this product may require the use of specialized tools and/or techniques.
- ◆ It is recommended that this product is only installed by trained personnel.
- ◆ Fitment can be undertaken with one person, however due to the weight of the Roof top Tent, It is advised lifting aids are used to lift it into position by the Ladder Support Rails or 4 people (one at each corner) from the base. **DO NOT lift the tent from its top roof bars.**
- ◆ During installation, it is the duty of the installer to check correct operation/clearances of all components (including but not exclusive of vehicle aerials, Tailgate spoilers, protrusions etc.)
- ◆ Work safely at all times
- ◆ Unless otherwise instructed, tighten all fasteners to specified torque
- ◆ Check bolt torque after 500km & at regular service intervals
- ◆ These instructions are correct as at the time of publication

### **ARB 4x4 ACCESSORIES**

Corporate Head Office

42-44 Garden St  
Kilsyth, Victoria  
AUSTRALIA 3137

Tel: +61 (3) 9761 6622  
Fax: +61 (3) 9761 6807

Australian enquiries  
North & South American enquiries  
Other international enquiries

sales@arb.com.au  
sales@arbusa.com  
exports@arb.com.au

[www.arb.com.au](http://www.arb.com.au)

## **IMPORTANT:**

### **CARE AND USE OF YOUR ALTITUDE ROOF TOP TENT:**

Please refer to the "Owner's Manual Supplement" contained within the Fitting Kit. (Part number:37801296)

### **WARRANTY:**

Please refer to ARB "Warranty against defects" booklet contained in the hardware kit or contact your dealer.

### **TOOL LIST FOR FITMENT:**

- Torque Wrench 0-25Nm
- Tape Measure
- 13mm Socket/ Spanner

### **FITTING IS UNDERTAKEN IN FOLLOWING STAGES:**

1. Unboxing the Roof Top Tent.
2. Fitting to a Base Rack.
3. Fitting to Roof Bars.
4. Operation Check.



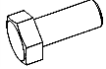
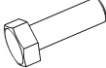




**!! IMPORTANT !! other than specifically specified in this instruction**

**REQUIRED BOLT TORQUES: M8=22Nm**

**Bolt torques must be adhered to avoid warranty issues and should be checked at vehicle service intervals.**

### **BEFORE STARTING, READ ALL STEPS OF THE INSTRUCTIONS CAREFULLY AND CHECK ALL PARTS**

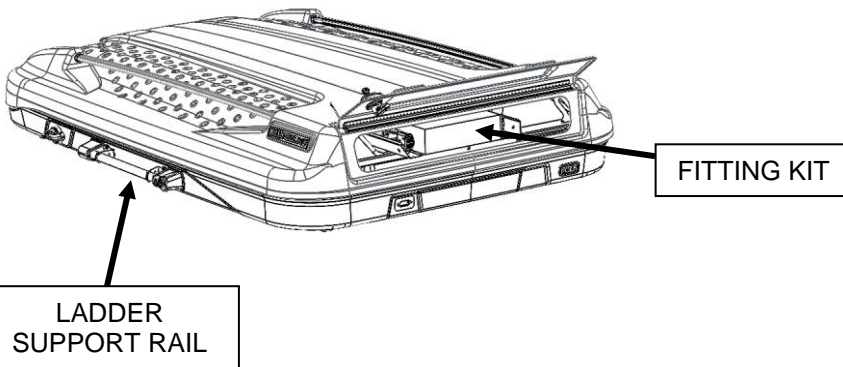
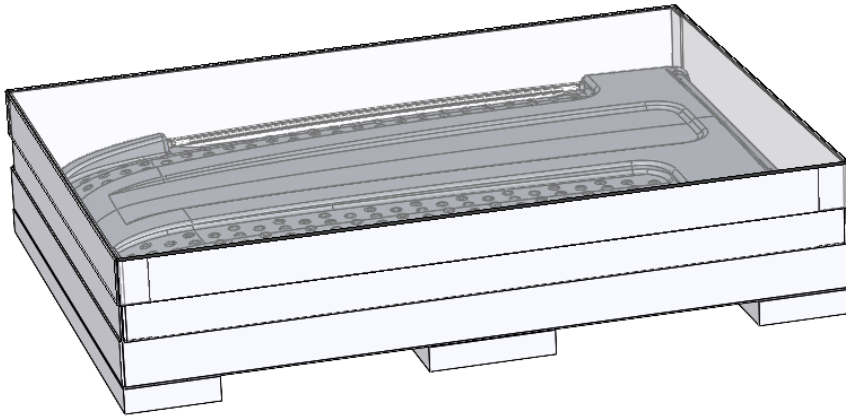
#### **FITTING KIT – CONTENTS:**

	<b>Part No</b>	<b>Picture</b>	<b>Qty</b>	<b>Description</b>
<b>6178105</b>	560PD051		4	CLAMP BRACKET
	4581307		8	WASHER M8
	6152170		8	BOLT M8 x 20 (yellow patch)
	6152171		8	BOLT M8 x 25 (blue patch)
	559PH020		1	ANDERSON PLUG LEAD (3 METERS 30A)
	560PD064		1	ACTUATOR CLIP REMOVAL TOOL *****(Give to the customer)****
	37801280		1	FITTING INSTRUCTIONS
	37801296		1	OWNER'S MANUAL
	N/A			KEYS (SET OF 4)
		561AQ065		4



# FITTING INSTRUCTIONS

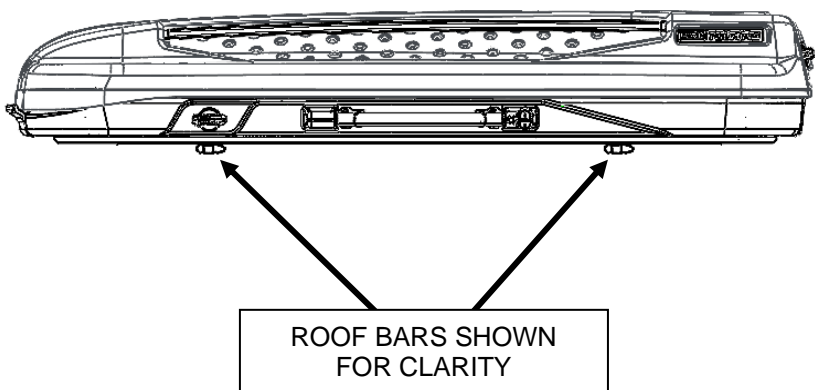
## SECTION 1: Unboxing Roof top Tent:



- 1.1) Unbox the Roof Top Tent and place it on a solid surface.
- 1.2) Open the rear door and remove the fitting kit box along with the bag containing the nut plate U channel brackets.
- 1.3) Apply power to tent and raise to open condition (as per Owner's Manual instruction). Remove the U-Channel Brackets and close tent.

**Note:- DO NOT lift the Roof Top Tent by the upper roof bars.**

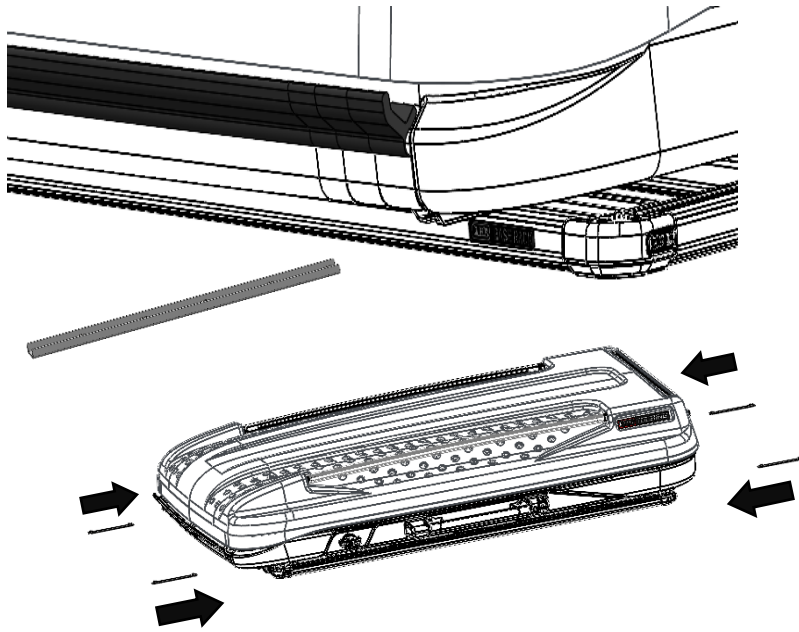
**It is advised lifting aids are used to lift it into position by the Ladder Support Rails or 4 people (one at each corner) from the base.**



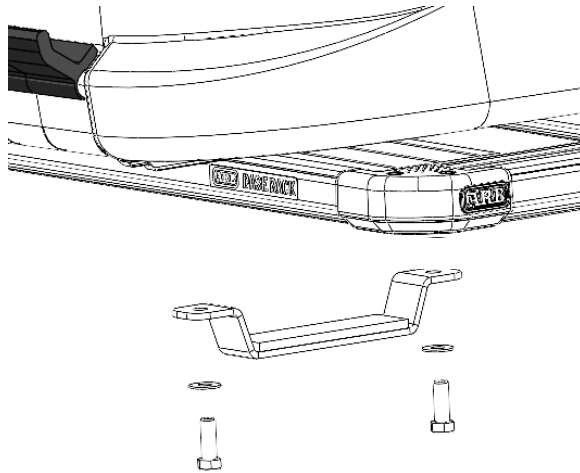
- 1.4) Place the Roof Top Tent on vehicle roof bars or rack and centralize. Recommended gap between Bars is 800mm ~ 1200mm

**Ensure the position of the tent does not overhang the extremities of the vehicle.**

## SECTION 2: FITTING THE ROOF TOP TENT TO ARB BASE RACK

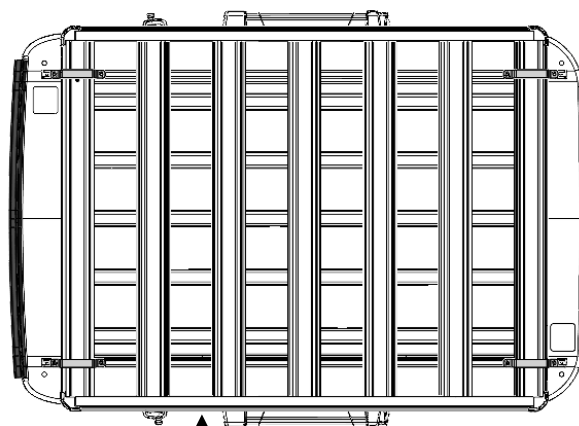


- 2.1) With the weld nuts facing upwards, slide the U-Channel brackets into the ends of the lower aluminium C-Channel rails of Roof top Tent.
- 2.2) Align the nuts on either side of outermost available cross beam, making sure the brackets do not hang outside the end of the C-Channels of the tent.
- 2.3) Insert 2 brackets at the front and 2 at the rear.



- 2.4) Place the Clamp Bracket around the chosen Base Rack cross beam and align with the nuts in the brackets.
- 2.5) Engage M8 x 25 bolts (with **BLUE** patch) and M8 washer to the nuts on the U-Channel brackets.
- 2.6) Repeat the step for all remaining brackets

BOTTOM  
VIEW

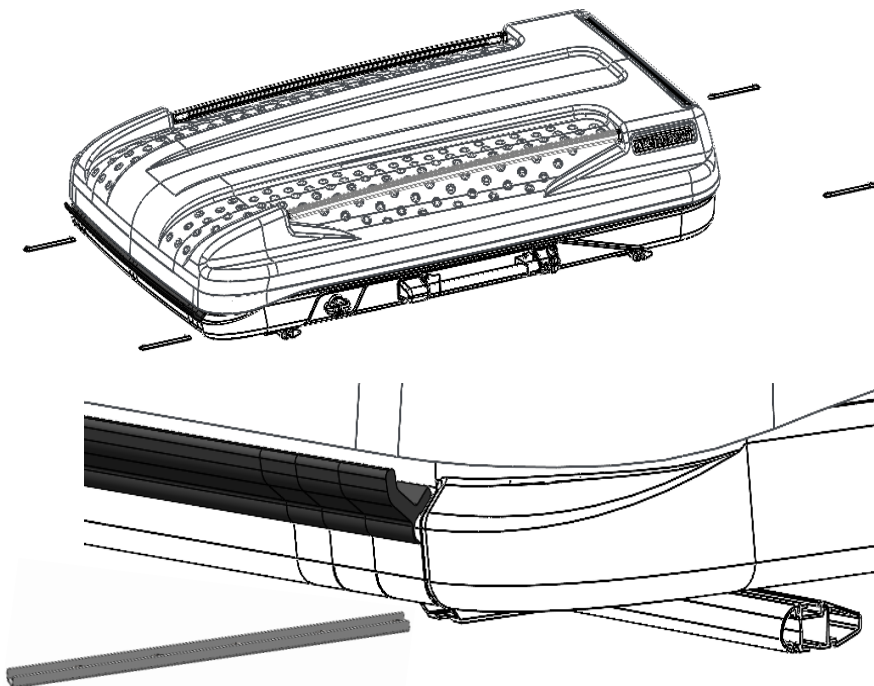


BASE RACK

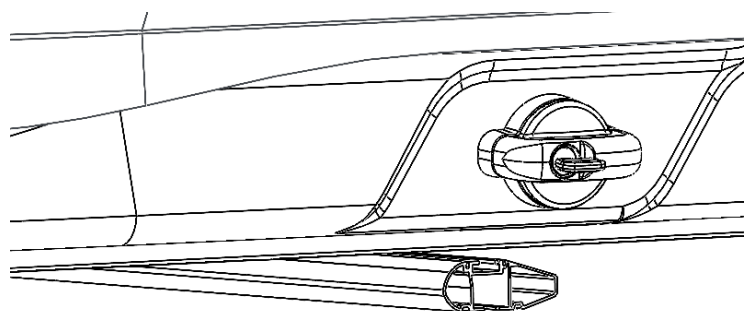
ROOF TOP  
TENT

- 2.7) Once the brackets are in correct location, **tighten and torque all bolts to 22Nm** to secure the Clamp Brackets to the Roof Top Tent.

## SECTION 3: FITTING THE ROOF TOP TENT TO ROOF BARS



- 3.1) With the weld nuts facing upwards, Slide the U-Channel brackets into the ends of the lower aluminium C-Channel rails of Roof Top Tent.
- 3.2) Locate the Nut Plate so the outer end of the plate is as close as possible to the end of the C-Channel whilst not hanging out of the end of the C-Channel
- 3.3) Insert 2 bracket at the front and 2 at the rear.



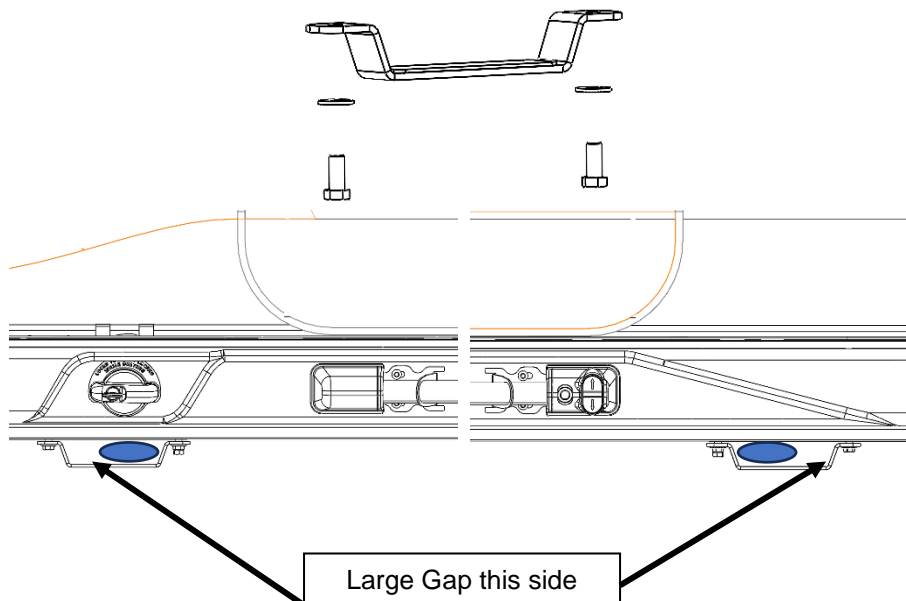
- 3.4) Place the Clamp Bracket under the roof bar and align with the nuts in the U-Channel brackets.

- 3.5) Engage the M8x20 Bolts (with **YELLOW** nylon patch) and M8 washer to the nuts on the U-Channel brackets

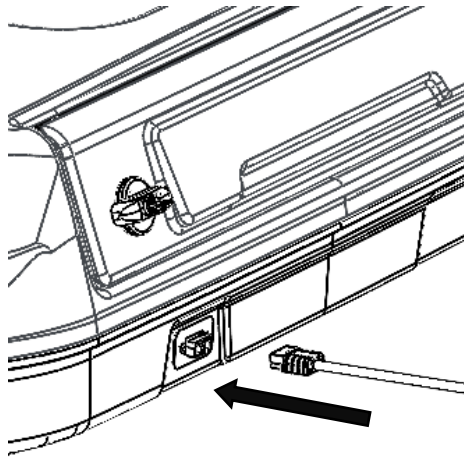
- 3.6) Repeat for all remaining brackets.

- 3.7) Locate all 4 clamp brackets so the outside edge of the bar is less than 5mm from the clamp bracket. (Large Gap to outside)

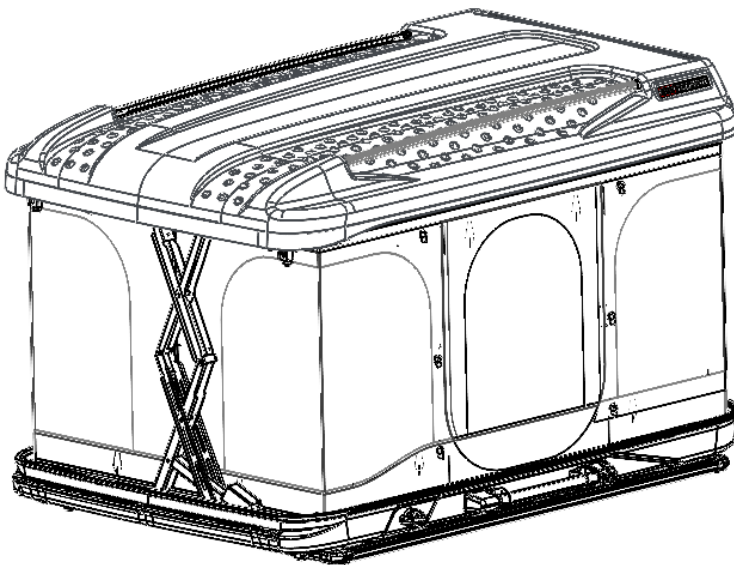
- 3.8) Once the brackets are correctly located, **tighten and torque all bolts to 22Nm** to secure the clamp brackets to the Roof Top Tent.



## SECTION 4: TESTING THE ROOF TOP TENT



- 4.1) Referring to Owner's Manual (supplier in Fitting Kit), connect 12V power supply via the Anderson Plug to rear of Roof Top Tent.



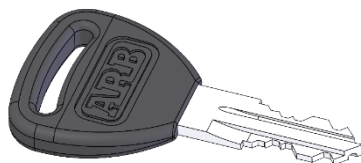
- 4.2) Check functionality of the Roof Top Tent.

**Make sure to unlock and open the handle locks on either side of Roof Top Tent prior to use.**

**If Tent does not open. Press and hold the "UP" Button for 10 seconds and remain holding until the tent is fully up. This will reset the system and tent should operate as per the Owner's Manual.**



- 4.3) Ensure to retain the Actuator Removal Tool referred to in the Owner's Manual (To be retained by customer)



- 4.4) Check keys operate all locks and retain (To be retained by customer)